

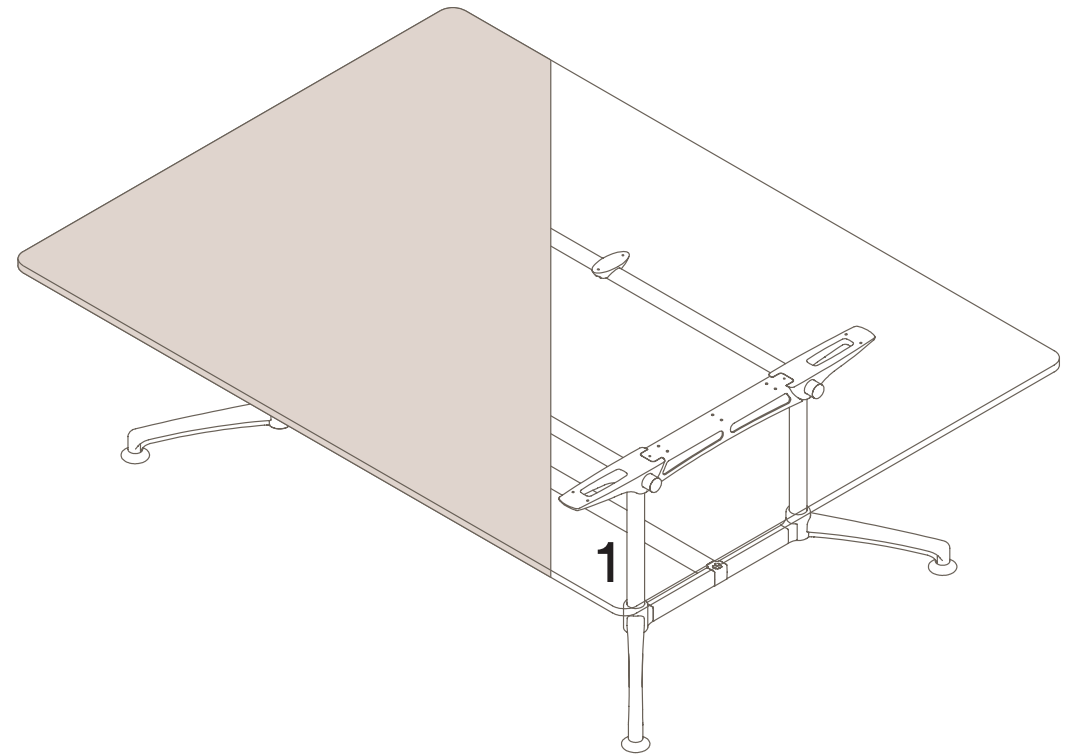
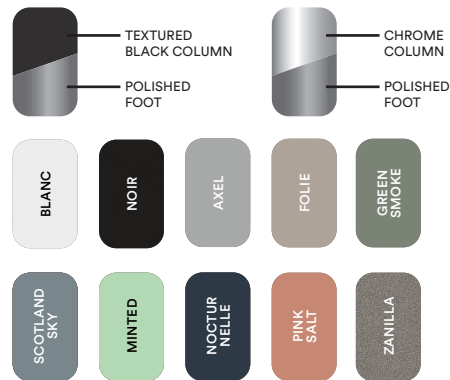
I.AM

I.AM is a totally flexible and versatile table base that provides a complete family of product options for the commercial environment.

Multi-Leg Finishes

1. Frame Finishes

Standard I.AM frame finishes include black or chrome legs with a polished foot. I.AM is also available in our current season powdercoat colours listed, with custom colour optional.



Colours are representative only, please check with your Thinking Works consultant to view samples of any specific colour.

Tables

Rectangle

Materials Information

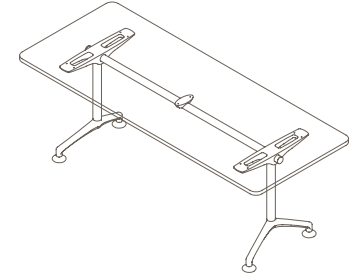
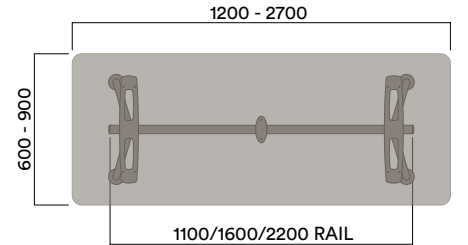
Leg Finish

Steel Leg Column

- a. Textured Black (standard)
- b. Chrome (standard)
- c. Blanc
- d. Noir
- e. Axel
- f. Folie
- g. Green Smoke
- h. Scotland Sky
- i. Minted
- j. Nocturnelle
- k. Pink Salt
- l. Zanilla

I-1000, I-1001, I-1002

720 (standard Height)



Foot Finish

Aluminium Foot

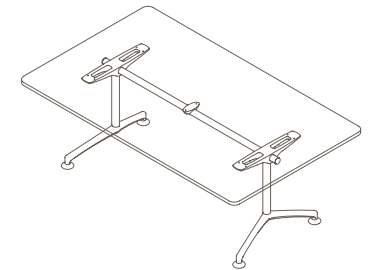
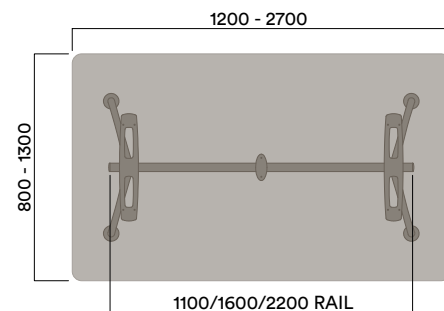
- a. Polished (standard)
- b. Powdercoat (to match column)

Frame Finish

Polished Aluminium Top Horn
Steel Black Powdercoat Rails

I-1010, I-1011, I-1012

720 (standard Height)



- * Maximum Custom Height 1000mm on Glides
900mm on Castors
- Maximum inc. worktop 100kg
- Maximum Point Load 50kg
- Seats 4-6


sydney office furniture

Tables Features

Materials Information

Frame Finish

Steel Slingshot

- a. Powdercoat (to match frame)

Steel Power/Data Beam

- a. Black Powdercoat

Powerbox Slingshot

Suitable for I-1040 and I-1041 table frames

Replaces I.AM leg column to provide placement of powerboxes without frame interference

Made to order to cater for specified powerbox requirements and size

Provides 75mm clearance around powerbox to ensure fitment without frame interference

Power/Data Beam

Suitable for I-1000, I-1001 and I-1002 frames

Suitable for I-1010, I-1011 and I-1012 frames

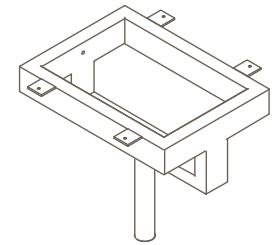
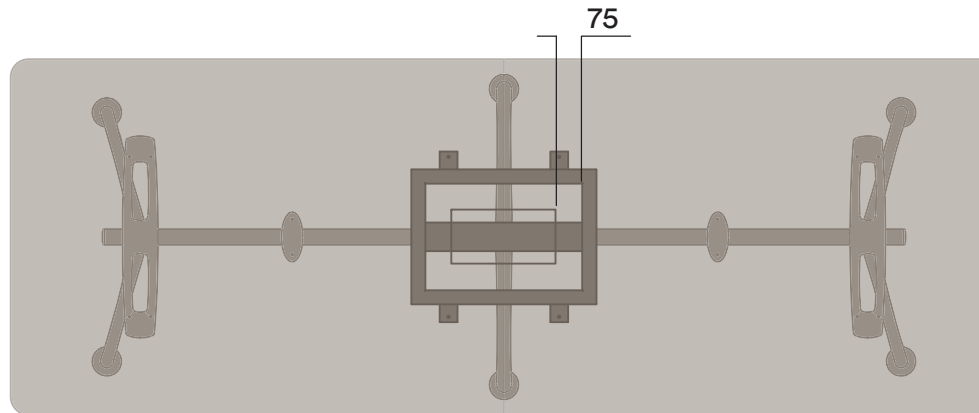
Replaces central rail to provide placement of powerboxes without frame interference

Made to order to cater for specified powerbox requirements and size

Provides 50mm clearance around powerbox to ensure fitment without frame interference

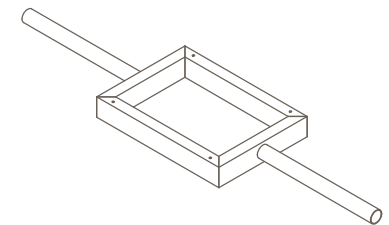
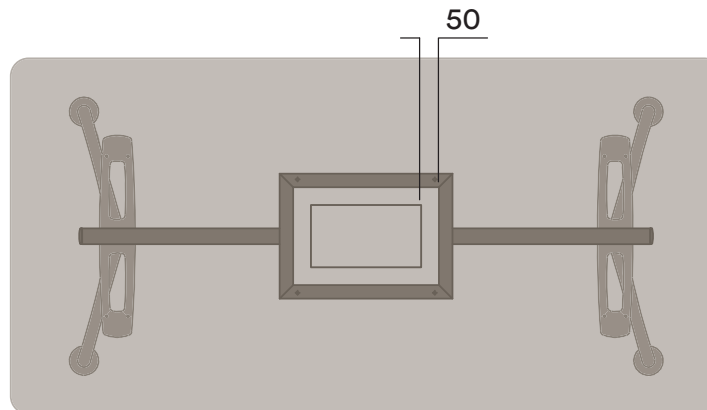
Powerbox Management

Slingshot



Powerbox Management

Power/Data Beam




sydney office furniture